

# Volume Of A Triangular Prism Worksheets – 3

## Exploring [how to find the volume of a triangular prism](#)

Let's keep up our journey towards finding the volume of different types of triangular prisms. In this worksheet, there is another type of [right triangular prism](#). There are 3 similar problems, first one is solved as an example and rest of the 2 is your job.

1) Find the volume of the prism given in the image.

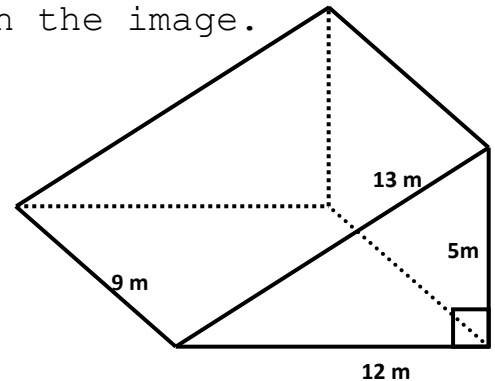
### Solution:

Square edge is the key again.

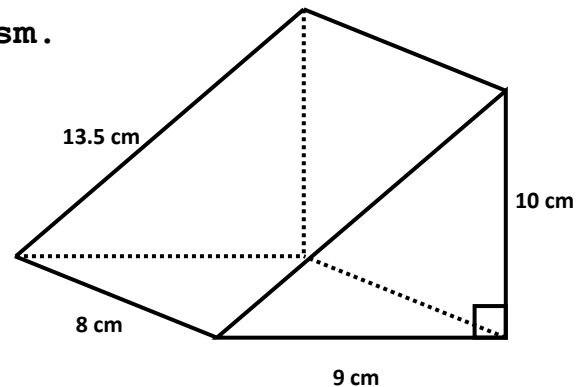
The sides of interest are 5, 12 and 9m.

Multiply these sides and divide by 2.

$$\text{Volume of the given prism } V = \frac{5 \times 12 \times 9}{2} = \frac{540}{2} = 270 \text{ m}^3$$



2) Find the volume of the given prism.



3) What is the volume of the prism shown below:

