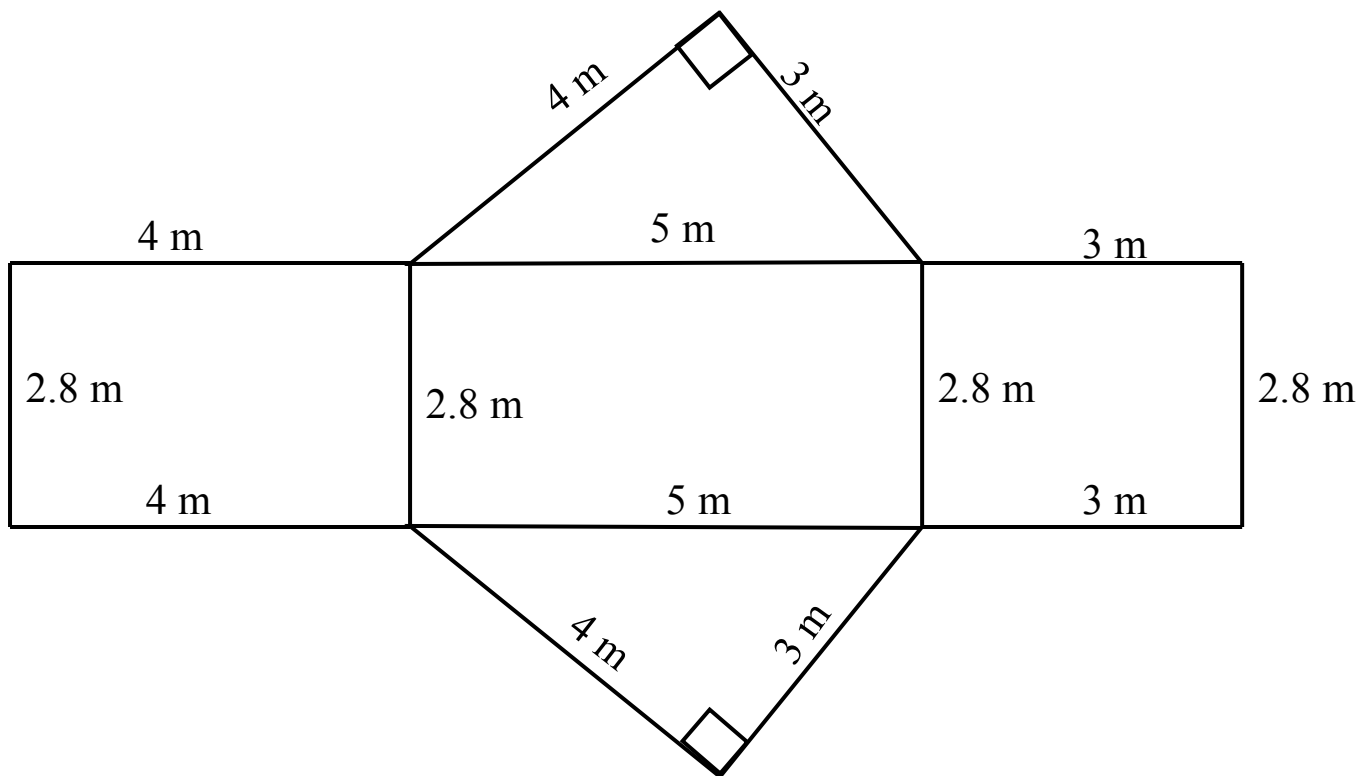
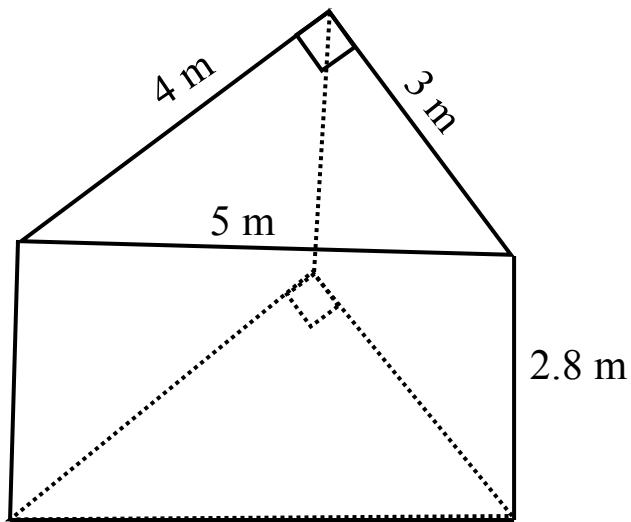


## Net of a right triangular prism

This lesson contains another right triangular prism. This prism is also landing on the triangular face. There are measures to all edges also given, to show on how to mark them on the net.



Now whole of the triangular prism is two triangles and three rectangles. You can find the area of all the faces individually and add them to get the [surface area of the triangular prism](#).